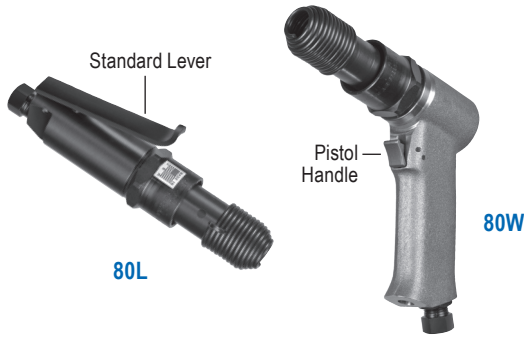


Chipping Hammers

80 Series



TC-183 Series



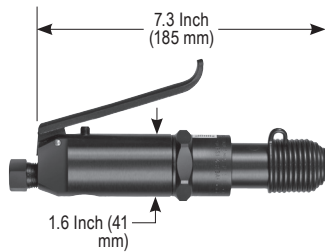
Handle Type	Handle Type	MODEL NUMBER	Handle Type	Handle Type	MODEL NUMBER
0.371 Hex Shank 	Lever	80L;HEX	0.580 Hex Shank 	Lever	TC-183-L;HEX
	Safety Lever	80K;HEX		Safety Lever	TC-183-K;HEX
	Pistol	80W;HEX		Pistol	TC-183-W;HEX
0.401 Round Shank 	Lever	80L;RND	0.680 Round Shank 	Lever	TC-183-L;RND
	Safety Lever	80K;RND		Safety Lever	TC-183-K;RND
	Pistol	80W;RND		Pistol	TC-183-W;RND

bore stroke 0.6 Inch X 1.4 Inch (15mm X 36mm)

Lbs 2.8 Lbs. (1.3 Kg)

cfm 15 cfm (7.1 L/s)

SUPPLY 1/4" NPT Inlet
3/8" (10 mm) Hose Size

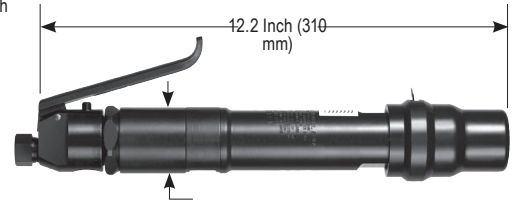


bore stroke 0.9 Inch X 3.0 Inch (23mm X 76mm)

Lbs 5.5 Lbs. (2.5 Kg)

cfm 25 cfm (11.8 L/s) Max

SUPPLY 1/4" NPT Inlet
3/8" (10 mm) Hose Size



CHIPPING HAMMERS

Handle Types



Chisels – 0.401 Round

Description	Cutting Edge	Overall Length	Part Number
Flat Chisel	1/2" (12.7mm)	7" (178mm)	595002
Blank Chisel		7" (178mm)	595005

Other Sizes And Styles Available

Chisels – 0.580 Hexagon

Description	Cutting Edge	Overall Length	Part Number
Flat Chisel	1" (25.4mm)	9" (229cm)	839008
Flat Chisel	1" (25.4mm)	12" (30.5cm)	839009
Flat Chisel	1" (25.4mm)	18" (457cm)	839010
Moil Point		9" (229cm)	839018
Wide Flat	2" (50.8mm)	12" (30.5cm)	839016

Other Sizes And Styles Available

Chisels – 0.371 Hexagon

Description	Cutting Edge	Overall Length	Part Number
Flat Chisel	1/2" (12.7mm)	12" (305mm)	595016

Other Sizes And Styles Available

Chisels – 0.680 Round

Description	Cutting Edge	Overall Length	Part Number
Flat Chisel	1" (25.4mm)	9" (229cm)	839014
Flat Chisel	1" (25.4mm)	12" (30.5cm)	839083
Flat Chisel	1" (25.4mm)	18" (457cm)	839045
Moil Point		9" (229cm)	839023
Wide Flat	1.5" (38.1mm)	9" (229cm)	839019
Wide Flat	2" (50.8mm)	9" (229cm)	839017

Other Sizes And Styles Available